



Coilmaster Electronics Co., Ltd.

3F No.211, Huan Bei Rd. Chung Li City, Taoyuan 320, Taiwan
Tel : +886-3-422-8279 Fax : +886-3-452-5688

E-mail : info@coilmaster.com.tw
Web Site : www.coilmaster.com.tw

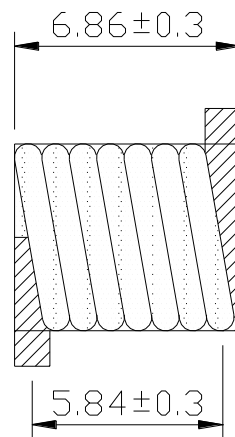
SMD Spring Air Core Inductors - SS7030 SERIES



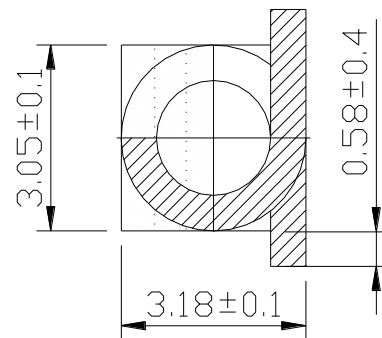
FEATURES

- SMD type air core inductor feature high Q and current handling
- Tape / Reel packaging, acrylic top provides a flat surface for pick and place
- Solder coated leads ensure reliable soldering

TOP VIEW



FRONT VIEW



PART NUMBER	INDUCTANCE (nH)	Tolerance	Q. (Min.)	DCR (mΩ) (Max)	SRF (GHz) (Min.)	I _{rms} (A) (Max)
SS7030-18NX-LF	17.5	J, K	100	4.5	2.2	4
SS7030-22NX-LF	22.0	J, K	100	5.2	2.0	4
SS7030-28NX-LF	28.0	J, K	100	6.0	1.8	4
SS7030-35NX-LF	35.5	J, K	100	6.8	1.2	4
SS7030-43NX-LF	43.0	J, K	100	7.9	1.0	4

* Inductance tested at 150MHz.

* Inductance tolerance : K=+/-10% ; J=+/-5%. (G=+/-2% is also available, please contact our sales team)

* Operating temperature range : -40°C to +125°C

* Packing quantity : 2000pcs per reel